

HIOSSEN®

IMPLANT

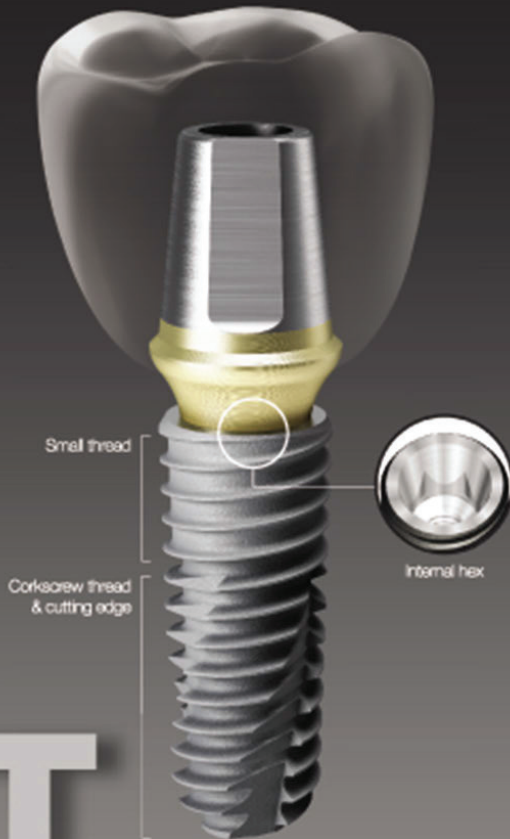
HiOssen Implant,

the leader in popularizing implants in Korea!
We stand out with our passion for strategic R&D and best products, creating globally trend-setting implants.

HiOssen Implant,

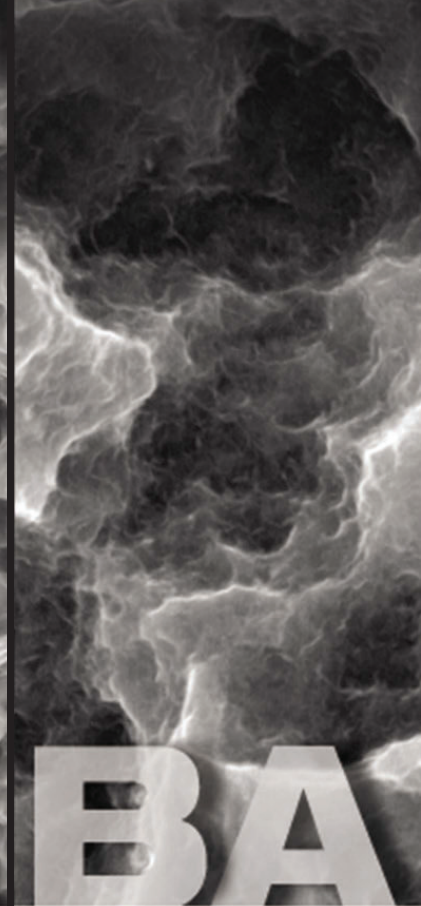
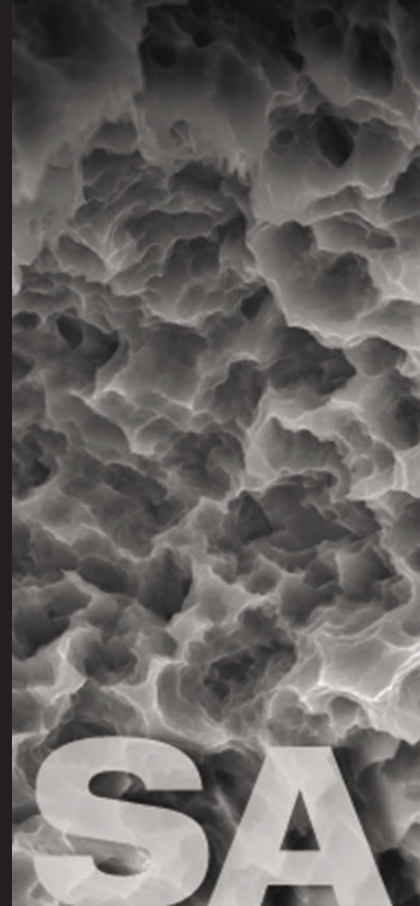
provides world-class surface technologies in surface treatment, the core implant technology for fast and safe procedures

Design Feature



ET

Surface Feature



SA BA

Submerged type implant with an Internal hex 11° taper connection structure

- Connection type and color - Mini / Regular
- Highest initial stability in soft bone by using upper-section small thread
- Corkscrew thread & cutting edge
 - Easy path adjustment through a superior self-threading effect
 - Acquires insertion torque with an increase in soft bone initial stability and without deviation according to the drill diameters
- The various body shape options are available according to the bone and patient's clinical condition
 - ETII (Straight Body) : Easily adjustable insertion depth
 - ETIII (1.5 Taper Body) : Ability to acquire strong initial stability
 - TSIV (6° taper body): Able to acquire superior initial stability only in maxillary sinus and soft bone
- Applied Surface - SA / CA / BA / HA

Provides optimum surface through acid treatment

- Provides Ra 2.5~3.0 μ m surface roughness
However, upper section 0.5mm area is Ra 0.5~0.6 μ m
- Achieved uniform micro-pit 1.3 μ m in size
- 46% greater surface area compared to RBM

Bone reaction performance (in-vitro and in-vivo)

- 20% improvement in osteoblast separation and ossification compared to RBM
- Initial bone reaction performance in animal model (mini-pig)
 - 48% improvement in initial stability (RT, 4 weeks) compared to RBM
 - 20% improvement in ossification (BIC, 4 weeks) compared to RBM

Surface coated with low crystalline Nano-HA in SA

- Ultra-thin film with HA coating and 10nm or lower thickness
- HA coating on SA surface (Ra 2.5~3.0 μ m)
- Dual function of titanium and HA
 - HA is naturally removed during ossification process

Bone reaction performance (in-vitro and in-vivo)

- Fused surface having advantages of both SA and HA
- Maintains advantage of SA optimum surface formation
- Superior early ossification of the HA in soft bone condition
- 30% improvement in ossification (BIC) compared to SA

Transfer/Angled/FreeForm ST/GoldCast/NP-Cast SmartFit/ZioCera/ZioCera Angled Temporary/Quick Temporary

Fixture Level Impression



Coming Soon

ETII SA Fixture

- Submerged type implant with 11° Morse taper internal hex connection
- World class SA surface treatment initializes osseointegration efficiently
- Straight body design for easy adjustment of insertion depth
- Unique thread design has enhanced initial stability in soft bone and powerful self threading capabilities
- Recommended insertion torque : 40Ncm or less

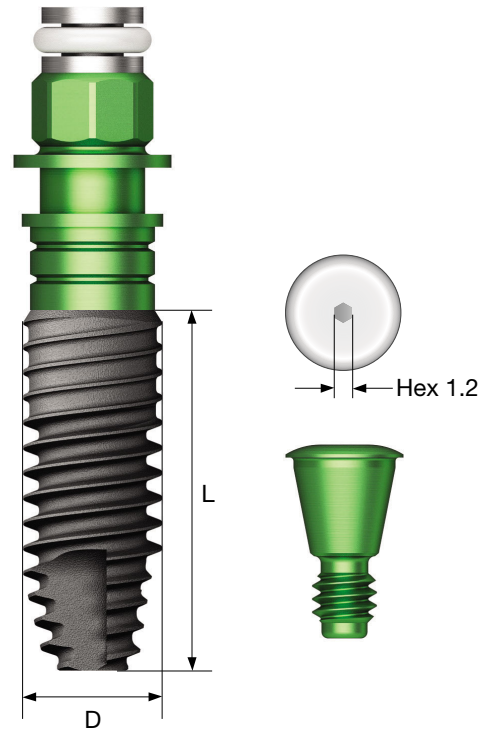
※ For a single posterior implant case, using 4.5mm or bigger diameter is recommended.

NoMount fixture order code

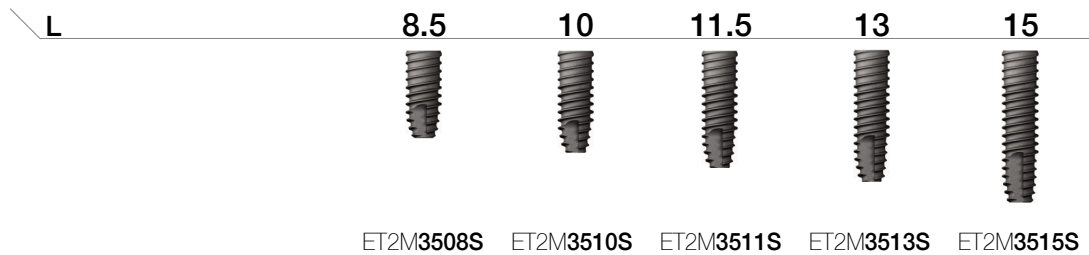
: C + fixture product code (ex: CET2R4010S)

Pre-Mounted fixture order code (fixture + mount + cover screw)

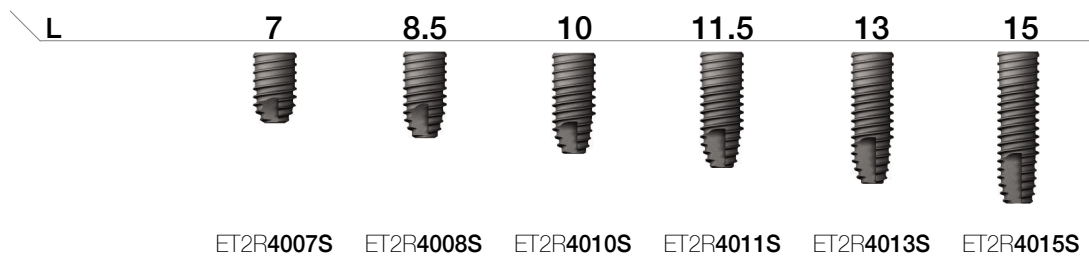
: A + fixture product code (ex : AET2R4010S)



D Ø3.5
Hex 2.1



D Ø4.0
Hex 2.5



D Ø4.5
Hex 2.5

