

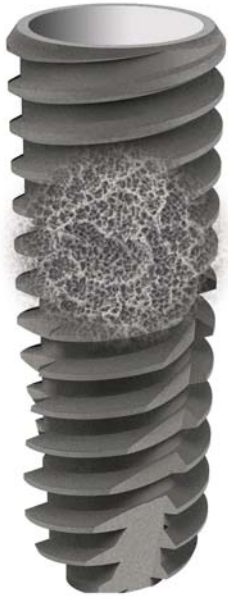


ET III SA  
Implant System &  
Prosthetic  
Components

**HIOSSEN**<sup>®</sup>  
IMPLANT  
ET III SA Implant

# HIOSSSEN SA surface

## HIOSSSEN SA Surface

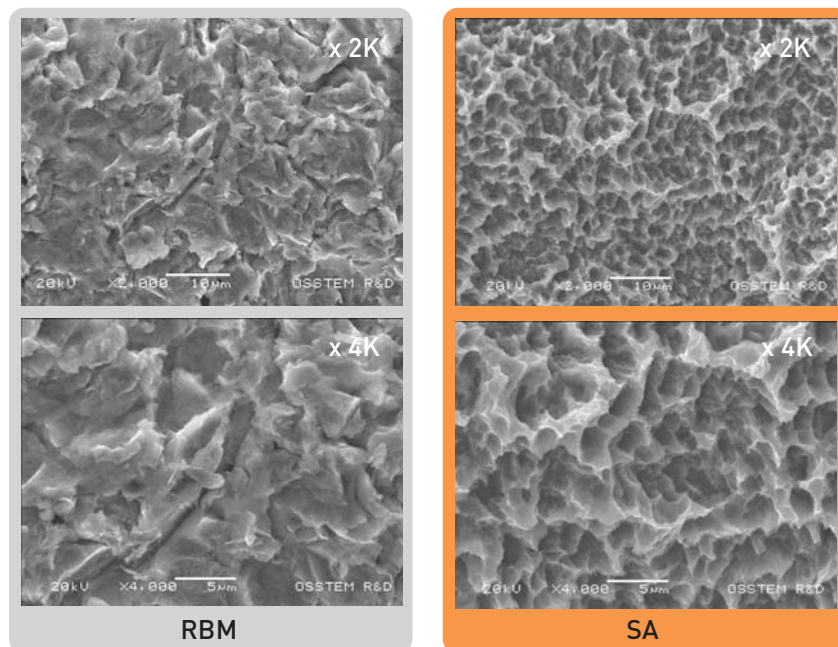


## HIOSSSEN SA Surface

**SA** : Sand blasted and **A**cid etched surface

- Optimal morphology : Combination of crater and micro-pit
- Early cell response : 20% faster than RBM
- Early bone healing : 20% faster than RBM
- Early loading possible after 6 weeks of placement.

HIOSSSEN SA surface morphology and roughness increased by 45% compared to RBM treatment.

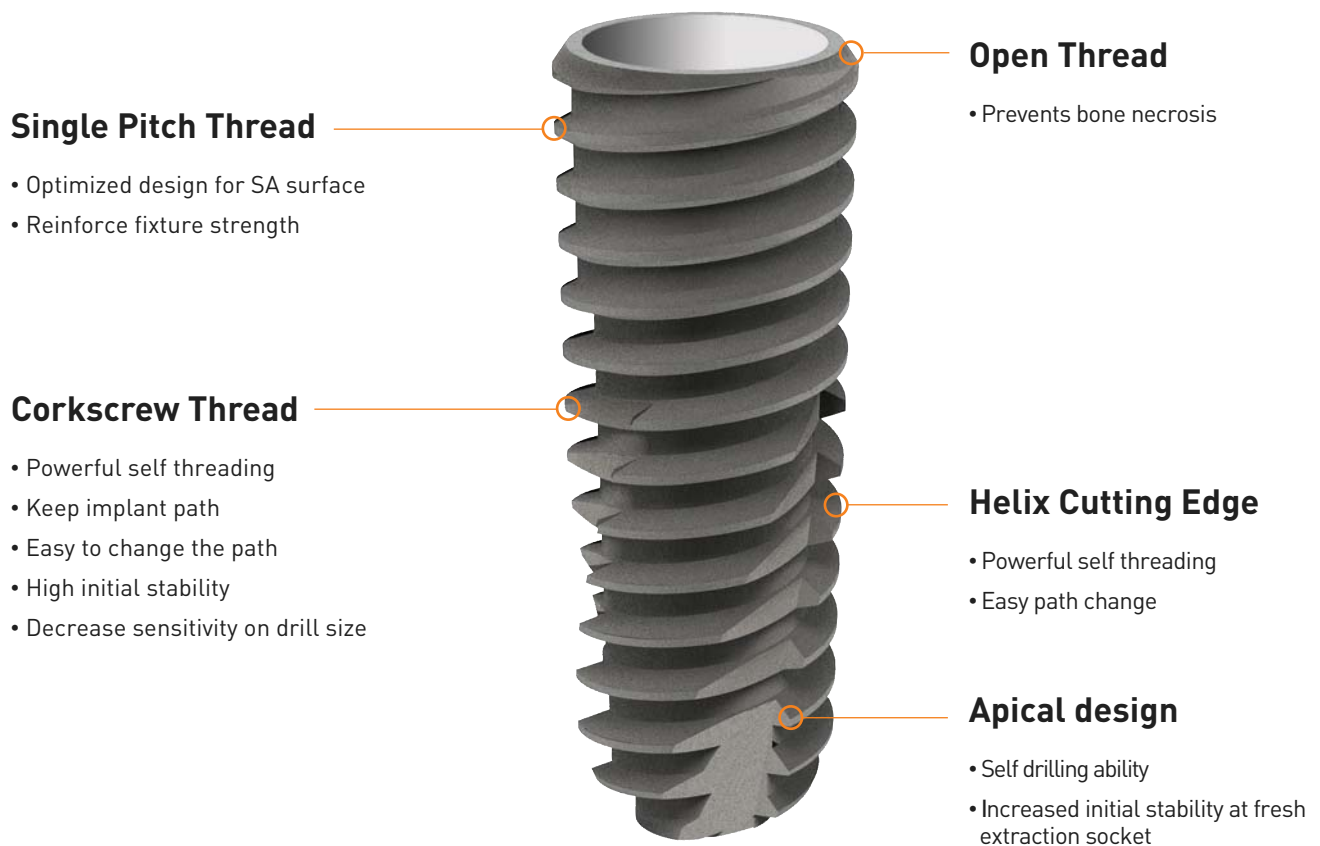


**SEM** (Scanning Electron Microscope) **image**

# ET III SA Implant

## ET III SA implant

ET III SA implant, developed with extensive R&D experiences of Hiossen Implant, features an SA surface treatment that fully exploits the excellent pluri-potential capacity of osteoblastic cells. It shortens the bone healing time, and improves the secondary attachment force. In addition, SA surface is adopted to have a convenient placement and initial stability due to its optimal body design.



# ET III SA Implant

## ET III SA Fixture Line Up

ET III SA Fixture can be specified by four different diameters (3.5, 4.0, 4.5 and 5.0mm), and by packaging for No-mount fixture and Pre-mounted fixture (Fixture + Mount + Cover screw).

### Pre-mounted Fixture (Simple Mount)

Fixture + Mount + Cover Screw : **A** + Product Code (Ex:**A**ET3R4011S)



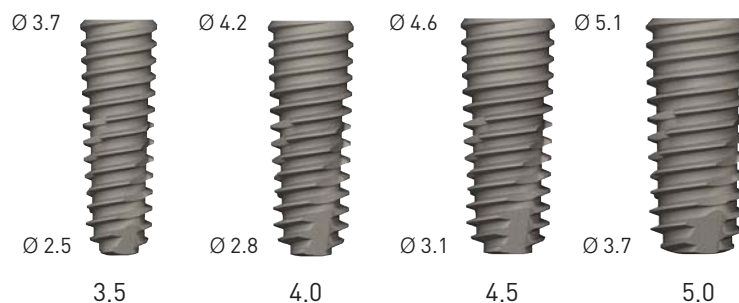
ET III SA Fixture 3.5  
(Yellow/Purple)

ET III SA Fixture 4.0/4.5/5.0  
(Green/Green)

### NoMount Fixture\*

Fixture : + Cover Screw : **C** + Product Code (Ex:**C**ET3R4011S)

\* Not available until March 2011.



For more information,  
please contact  
your sales  
representative.

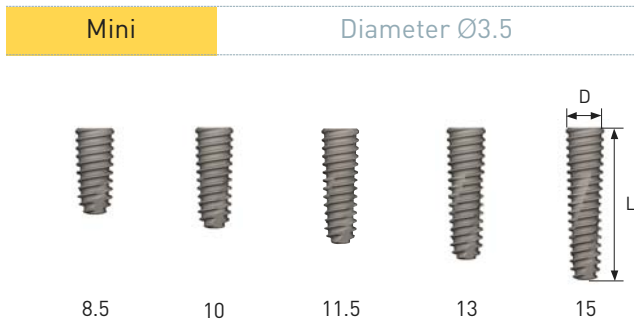
The following labeled dimension may differ from the actual dimension.

# ET III SA Implant

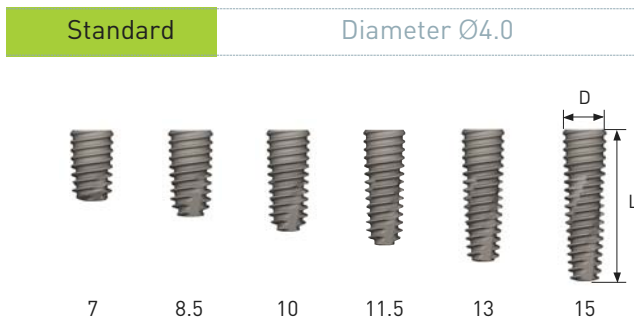
## ET III SA Fixture Line Up

**M S** Connection

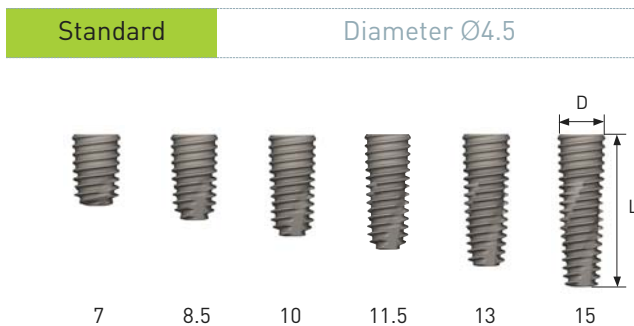
\* The following labeled dimension may differ from the actual dimension.



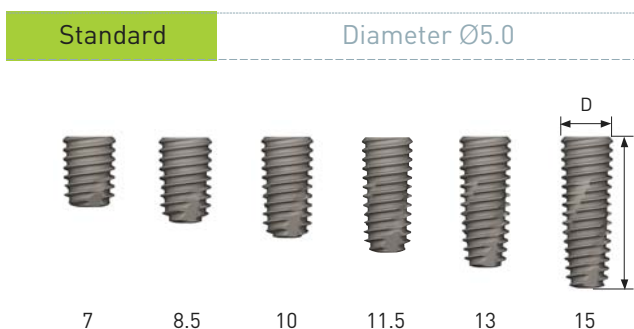
Connection		Mini
L \ D		$\varnothing 3.5$
7		-
8.5		ET3M3508S
10		ET3M3510S
11.5		ET3M3511S
13		ET3M3513S
15		ET3M3515S



Connection		Standard
L \ D		$\varnothing 4.0$
7		ET3R4007S
8.5		ET3R4008S
10		ET3R4010S
11.5		ET3R4011S
13		ET3R4013S
15		ET3R4015S



Connection		Standard
L \ D		$\varnothing 4.5$
7		ET3R4507S
8.5		ET3R4508S
10		ET3R4510S
11.5		ET3R4511S
13		ET3R4513S
15		ET3R4515S



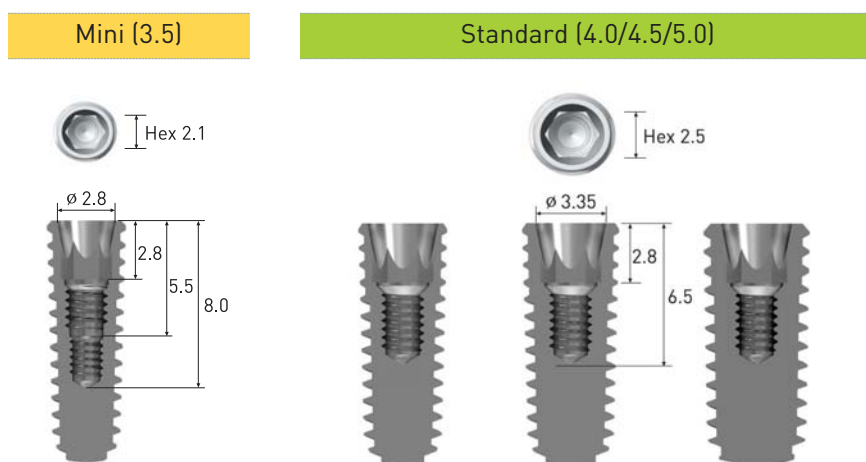
Connection		Standard
L \ D		$\varnothing 5.0$
7		ET3R5007S
8.5		ET3R5008S
10		ET3R5010S
11.5		ET3R5011S
13		ET3R5013S
15		ET3R5015S



# ET III SA Implant

## ET III SA Fixture Line Up

ET III SA Fixture has two types of abutment connection specifications: one is the Mini Connection for the  $\text{Ø}3.5$  fixture, and the other is the Standard Connection for other diameters. The Mini Connection must be used with separate abutment; in contrast, the Standard Connection can be used with the same abutment for fixtures more than  $\text{Ø}4.0$  regardless of the diameter.



### Cover Screw



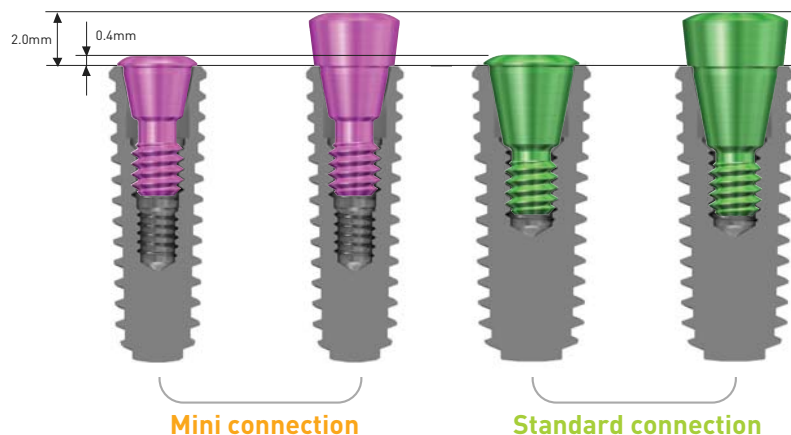
Color	Purple		Green	
Fixture	$\text{Ø}3.5$		$\text{Ø}4.0, \text{Ø}4.5, \text{Ø}5.0$	
Code	ETCSMS	ETCSML	ETCSRS	ETCSRL

Packing unit: Cover Screw

Use a long cover screw when fixture implanted under the bone level

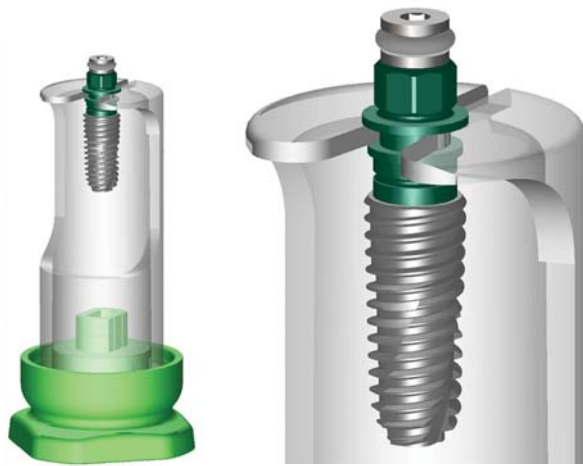
1.2 Hex Driver used

Tightening torque: 5-8Ncm



# ET III SA Implant

## ET III SA Packing System



ET System

Mini : Yellow



Standard : Green



### New Ampoule User's Guide

- Applying: Grip type ampoule to protect ET III SA surface



1. Remove the back of blister (sterilized condition is not guaranteed once the blister is removed).

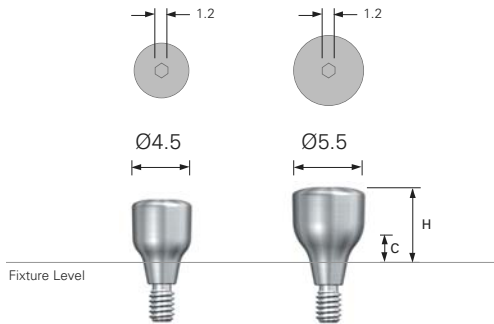
2. Remove the Capsule by rotating

3. Connect Driver; clicks when properly connected

4. Remove Fixture from grip holding

# Healing Abutment

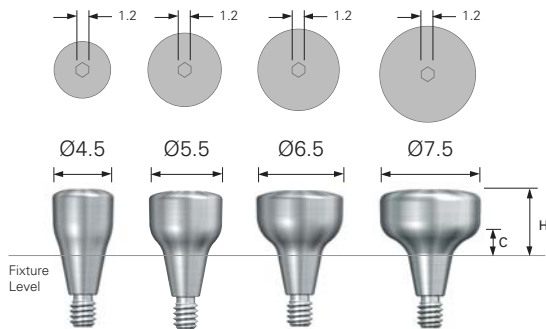
## Mini



Mini			
C	1.0	2.0	3.0
D \ H	3.0	5.0	7.0
Ø4.5	4503M	4505M	4507M
Ø5.5	5503M	5506M (C:3.0, H:6.0)	

- **Order code : HGHLA + item code**  
ex) HGHLA + 4503M = HGHLA4503M

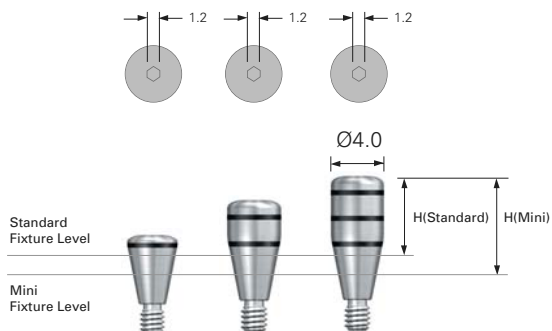
## Standard



Standard			
C	1.0	2.0	3.0
D \ H	3.0	5.0	7.0
Ø4.5	4503S	4505S	4507S
Ø5.5	5503S	5505S	5507S
Ø6.5	6503S	6505S	6507S
Ø7.5	7503S	7505S	7507S

- Maintains tissue opening for establishing proper emergence profile
- Use the 1.2 hex driver
- Tightening torque : 5~8Ncm

## Slim



Slim			
H(Mini)	4	6	8
H(Standard)	2.5	4.5	6.5
Ø4.0	4002	4004	4006

- **Order code : HGHLA + item code**  
ex) HGHLA + 4002 = HGHLA4002
- Slim abutment, special-purpose Healing abutment
- Use the 1.2 hex driver
- Tightening torque : 5~8Ncm



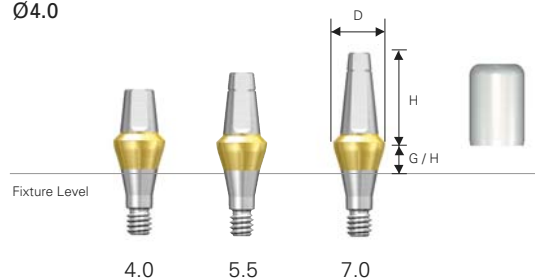
# Rigid Abutment Components

## Rigid abutment

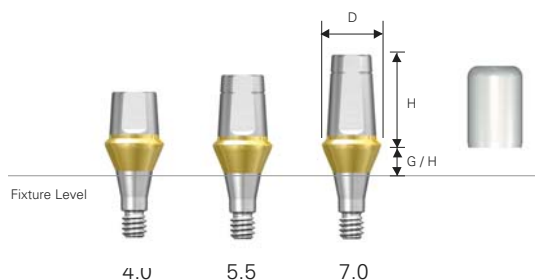
Cement retained restoration

### Mini

Ø4.0



Ø4.5



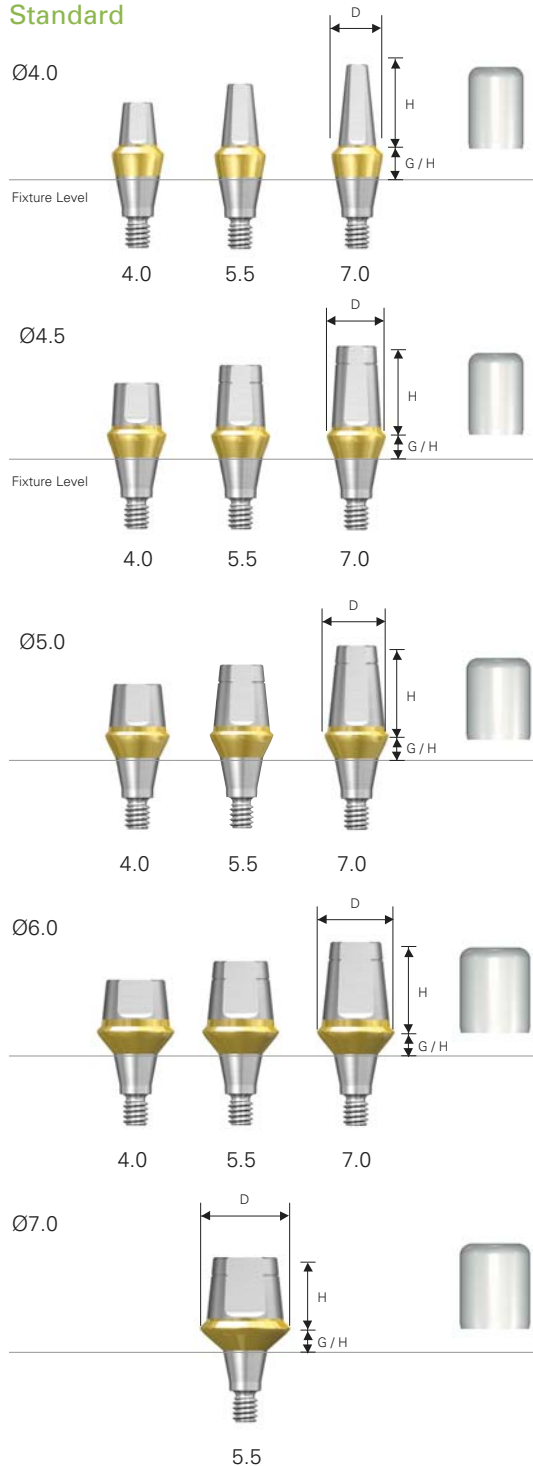
H	G/H	Ø4.0	Ø4.5
4.0	1.0	4014MP	4514MP
	2.0	4024MP	4524MP
	3.0	4034MP	4534MP
	4.0	4044MP	4544MP
5.5	1.0	4015MP	4515MP
	2.0	4025MP	4525MP
	3.0	4035MP	4535MP
	4.0	4045MP	4545MP
7.0	1.0	4017MP	4517MP
	2.0	4027MP	4527MP
	3.0	4037MP	4537MP
	4.0	4047MP	4547MP

- **Order code : HGRGA + item code**  
ex) HGRGA + 4014MP = HGRGA4014MP
- Use for making general cement-type prosthesis
- Abutment and screw in one
- 11° taper connection for excellent safety
- Gingival gold color for aesthetic effect
- Cross-section design for the prevention of prosthesis rotation
- Ø4.0 : use the outer driver  
Ø4.5, Ø5.0, Ø6.0 : use the outer driver and 1.2 hex driver  
Ø7.0 : Use the 1.2 hex driver
- Tightening torque : 30Ncm
  - ※ Includes Protect cap
  - ※ Protect cap can be purchased separately

## Rigid abutment

Cement retained restoration

### Standard



H	G/H	D	Ø4.0	Ø4.5	Ø5.0
4.0	1.0		4014SP	4514SP	5014SP
	2.0		4024SP	4524SP	5024SP
	3.0		4034SP	4534SP	5034SP
	4.0		4044SP	4544SP	5044SP
	5.0		-	-	5054SP
5.5	1.0		4015SP	4515SP	5015SP
	2.0		4025SP	4525SP	5025SP
	3.0		4035SP	4535SP	5035SP
	4.0		4045SP	4545SP	5045SP
	5.0		-	-	5055SP
7.0	1.0		4017SP	4517SP	5017SP
	2.0		4027SP	4527SP	5027SP
	3.0		4037SP	4537SP	5037SP
	4.0		4047SP	4547SP	5047SP
	5.0		-	-	5057SP

H	G/H	D	Ø6.0	Ø7.0
4.0	1.0		6014SP	-
	2.0		6024SP	-
	3.0		6034SP	-
	4.0		6044SP	-
	5.0		6054SP	-
5.5	1.0		6015SP	7015SP
	2.0		6025SP	7025SP
	3.0		6035SP	7035SP
	4.0		6045SP	7045SP
	5.0		6055SP	7055SP
7.0	1.0		6017SP	-
	2.0		6027SP	-
	3.0		6037SP	-
	4.0		6047SP	-
	5.0		6057SP	-

• Order code : HGRGA+ item code

ex) HGRGA + 4014SP = HGRGA4014SP

### Rigid protect cap



		Mini / Standard	
H \ D		Ø4.0	Ø4.5
4.0		4004	4504
5.5		4005	4505
7.0		4007	4507

		Standard		
H \ D		Ø5.0	Ø6.0	Ø7.0
4.0		5004S	6004S	-
5.5		5005S	6005S	7005S
7.0		5007S	6007S	-

- **Order code : HGRPC** + item code  
ex) HGRPC + 4004 = HGRPC4004
- Use for the protection of the rigid abutment on the oral cavity and to minimize the patient's discomfort
- Applicable as a substructure of temporary prosthesis
- Convenient locking

### Rigid impression coping

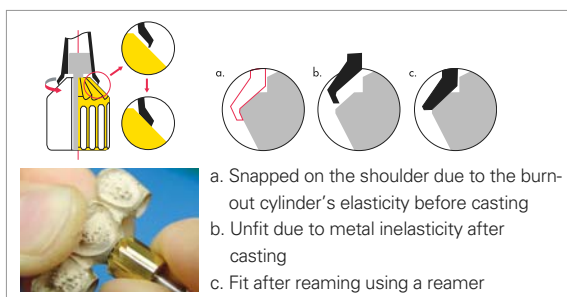
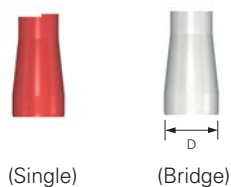


		Mini / Standard	
H \ D		Ø4.0	Ø4.5
4.0(Yellow)		4004S	4504S
5.5(Gray)		4005S	4505S
7.0(Blue)		4007S	4507S

		Standard		
H \ D		Ø5.0	Ø6.0	Ø7.0
4.0(Yellow)		5004SS	6004SS	-
5.5(Gray)		5005SS	6005SS	7005SS
7.0(Blue)		5007SS	6007SS	-

- **Order code : HGRIC** + item code  
ex) HGRIC + 4004S = HGRIC4004S
- Use for taking an impression of Rigid abutments
- Color indication enables the easy identification of abutments of varying lengths - 4mm(**Yellow**), 5.5mm(**Gray**), 7.0mm(**Blue**)
- Convenient locking

## Rigid burn-out cylinder

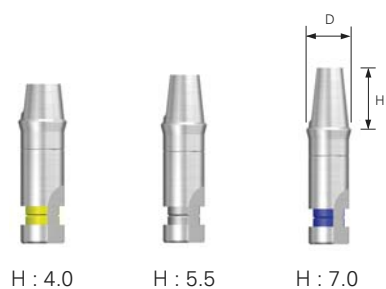


		Mini / Standard	
Type	D	Ø4.0	Ø4.5
	Single	40S	45S
	Bridge	40B	45B

		Standard		
Type	D	Ø5.0	Ø6.0	Ø7.0
	Single	50SS	60SS	70SS
	Bridge	50SB	60SB	70SB

- **Order code : HGRBC** + item code  
 ex) HGRBC + 40S = HGRBC40S
- Use as a prosthetic framework by connecting to Rigid lab analogs
- Color indication facilitates the identification of different cases  
**Single (red color)**, Bridge (white color)
- After prosthetic casting, the margin may be adjusted by a special-purpose reamer

## Rigid lab analog



		Mini / Standard	
H	D	Ø4.0	Ø4.5
	4.0(Yellow)	4004	4504
	5.5(Gray)	4005	4505
	7.0(Blue)	4007	4507

		Standard		
H	D	Ø5.0	Ø6.0	Ø7.0
	4.0(Yellow)	5004S	6004S	-
	5.5(Gray)	5005S	6005S	7005S
	7.0(Blue)	5007S	6007S	-

- **Order code : HGRLA** + item code  
 ex) HGRLA + 4004 = HGRLA4004
- Make Rigid abutment on a working model
- Color indication enables the easy identification of abutments of varying lengths - 4mm(yellow), 5.5mm(gray), 7.0mm(blue)

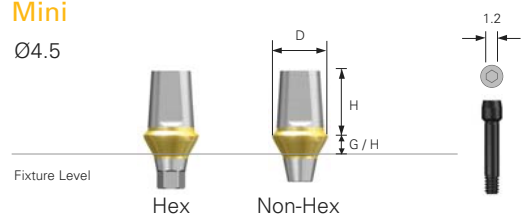
# Transfer Abutment Components

## Transfer abutment

Cement retained restoration

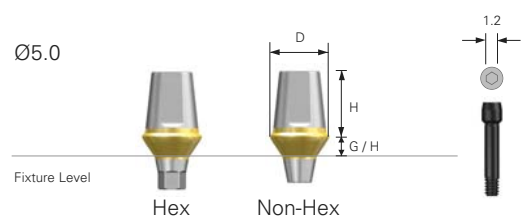
### Mini

Ø4.5



H	G/H \ Type	Ø4.5	Ø5.0
		Hex	Non-Hex
5.5	1.0	4515MHW	4515MNW
	2.0	4525MHW	4525MNW
	3.0	4535MHW	4535MNW
	4.0	4545MHW	4545MNW
	5.0	4555MHW	4555MNW

Ø5.0



H	G/H \ Type	Ø4.5	Ø5.0
		Hex	Non-Hex
5.5	1.0	5015MHW	5015MNW
	2.0	5025MHW	5025MNW
	3.0	5035MHW	5035MNW
	4.0	5045MHW	5045MNW
	5.0	-	-

- **Order code : HGTF A** + item code  
ex) HGTF A + 4515MHW = HGTF A4515MHW
- Use for making general cement-type prosthesis
- 11° taper connection for excellent safety
- Gingival gold color for aesthetic effect
- Cross-section design for the prevention of prosthesis rotation
- Use the 1.2 hex driver
- Tightening torque: 20Ncm (mini), 30Ncm (standard)
  - ※ Includes EbonyGold abutment screw
  - ※ EbonyGold abutment screw can be purchased separately (Mini : HGATSM, Standard : HGATSS)

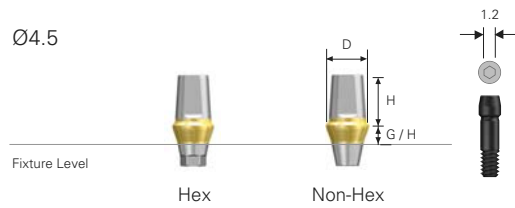




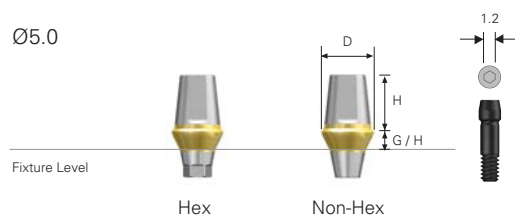
## Transfer abutment

Cement retained restoration

### Standard



H	G/H \ D	Ø4.5	
		Hex	Non-Hex
5.5	1.0	4515SHW	4515SNW
	2.0	4525SHW	4525SNW
	3.0	4535SHW	4535SNW
	4.0	4545SHW	4545SNW
	5.0	4555SHW	4555SNW



H	G/H \ D	Ø5.0	
		Hex	Non-Hex
4.0	1.0	5014SHW	5014SNW
	2.0	5024SHW	5024SNW
	3.0	5034SHW	5034SNW
	4.0	5044SHW	5044SNW
	5.0	5054SHW	5054SNW
5.5	1.0	5015SHW	5015SNW
	2.0	5025SHW	5025SNW
	3.0	5035SHW	5035SNW
	4.0	5045SHW	5045SNW
	5.0	5055SHW	5055SNW
7.0	1.0	5017SHW	5017SNW
	2.0	5027SHW	5027SNW
	3.0	5037SHW	5037SNW
	4.0	5047SHW	5047SNW
	5.0	5057SHW	5057SNW

• **Order code : HGTF A** + item code

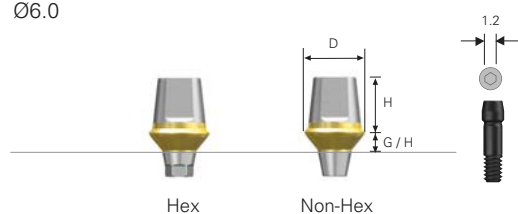
ex) HGTF A + 4515SHW = HGTF A4515SHW

## Transfer abutment

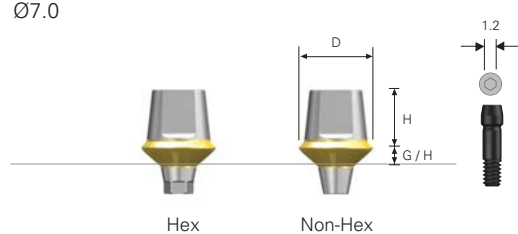
Cement retained restoration

### Standard

Ø6.0



Ø7.0



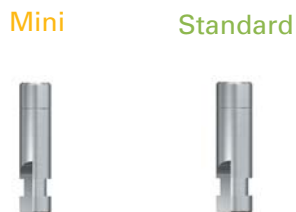
H	G/H \ D	Ø6.0	
		Hex	Non-Hex
4.0	1.0	6014SHW	6014SNW
	2.0	6024SHW	6024SNW
	3.0	6034SHW	6034SNW
	4.0	6044SHW	6044SNW
	5.0	6054SHW	6054SNW
5.5	1.0	6015SHW	6015SNW
	2.0	6025SHW	6025SNW
	3.0	6035SHW	6035SNW
	4.0	6045SHW	6045SNW
	5.0	6055SHW	6055SNW
7.0	1.0	6017SHW	6017SNW
	2.0	6027SHW	6027SNW
	3.0	6037SHW	6037SNW
	4.0	6047SHW	6047SNW
	5.0	6057SHW	6057SNW

H	G/H \ D	Ø7.0	
		Hex	Non-Hex
5.5	1.0	4015SHW	7015SNW
	2.0	7025SHW	7025SNW
	3.0	7035SHW	7035SNW
	4.0	7045SHW	7045SNW
	5.0	7055SHW	7055SNW

• Order code : HGTF A + item code

ex) HGTF A + 6014SHW = HGTF A6014SHW

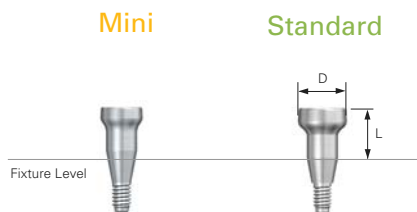
## Fixture lab analog



	Mini	Standard
Code	HGFLAM	HGFLAS

- Replicates the implant for use by the dental laboratory
- Locked to impression coping after the impression has been taken and fixed to the working model

## Bite index

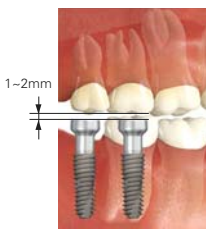


L \ D	Mini	Standard
	Ø4.5	Ø5.5
4.0	4504MS	5504SS
6.0	4506MS	5506SS
8.0	4508MS	5508SS
10.0	4510MS	5510SS
12.0	4512MS	5512SS

**Not available until 2012**

- **Order code : HGBTI + item code**  
ex) HGBTI + 4504MS = HGBTI4504MS
- Use to take a bite at fixture level impression
- After final impression, taking the bite with connecting it to oral
- Use the 1.2 hex driver
  - ※ Includes two Bite indexes per packing unit

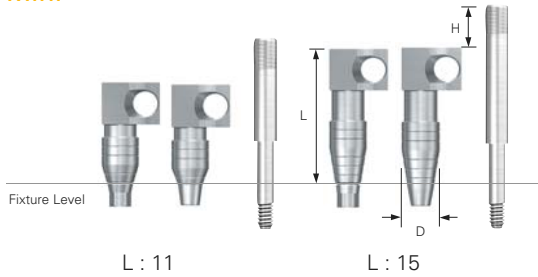
### Bite index characteristics



1. The hospital visits are decreased for the patients by easily and exactly registering the bite right after impression taking.
2. Extra jig fabrication is unnecessary by using a reusable bite exclusive component.
3. Easy and rapid connection possible free from limitations of the gingival tissue.
4. Applicable to various oral environments of patients with 4, 6, 8, 10, 12 mm features.

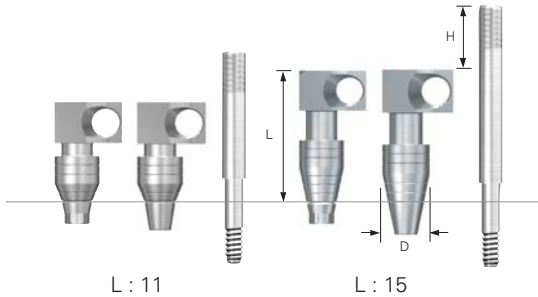
## Fixture pick-up impression coping

### Mini

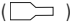


L	Type \ D	Ø4.0
11	Hex	4011MH
	Non-Hex	4011MN
15	Hex	4015MH
	Non-Hex	4015MN

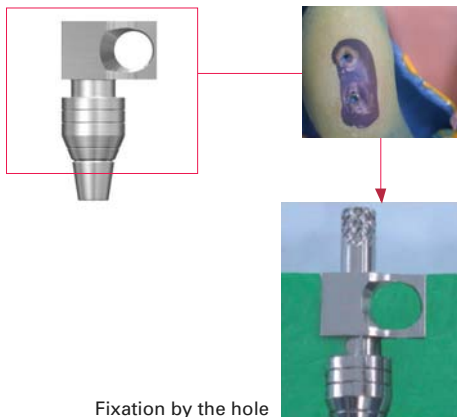
### Standard




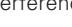
L	Type \ D	Ø4.0	Ø5.0	Ø6.0
11	Hex	4011SH	5011SH	6011SH
	Non-Hex	4011SN	5011SN	6011SN
15	Hex	4015SH	5015SH	6015SH
	Non-Hex	4015SN	5015SN	6015SN

- **Order code : HGFPI + item code**  
ex) HGFPI + 4011MH = HGFPI4011MH
- Pick-up type for taking an impression using a customized tray
- Impression coping designed with Hole-in-one ; no need for resin fixation
- Asymmetrical structure minimizing contact interference (  )
- Long and short types enhance convenience.
  - \* Includes pick-up coping and guide pin
  - \* Guide pin can be purchased separately

## Fixture pick-up impression coping

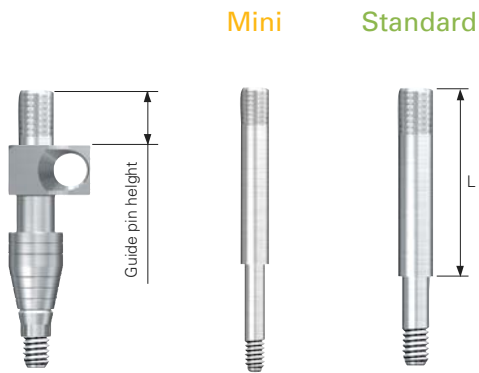


Fixation by the hole

You can take an exact impression even when the conventional pattern resin connecting procedure is omitted since the fixture pick-up impression coping has a hole (  ) structure that allows stable impression material fixation in the rotation/vertical direction. We overcame the interference caused by upper part asymmetry (  ) and interference between tray and opposing tooth.

You should be careful to align the coping parallel to the ridge in free end cases to prevent the interference with the tray.

## Fixture pick-up guide pin



L	D	Mini	Standard	
		Ø4.0	Ø4.0	Ø5.0
11	Guide Pin (H)	0	00S	
		0.5	05S*	
15	Guide Pin (H)	0	00SL	
		0.5	05SL*	

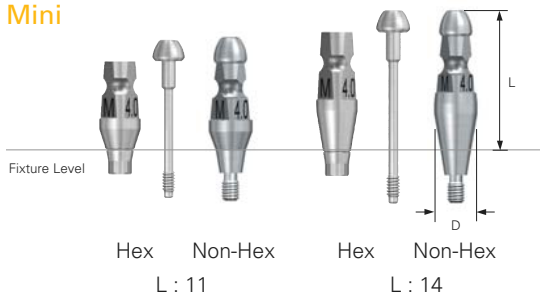
- **Order code : HGFPG** + item code  
ex) HGFPG + 00M = HGFPG00M
- Use the 1.2 hex driver
- \* Order package





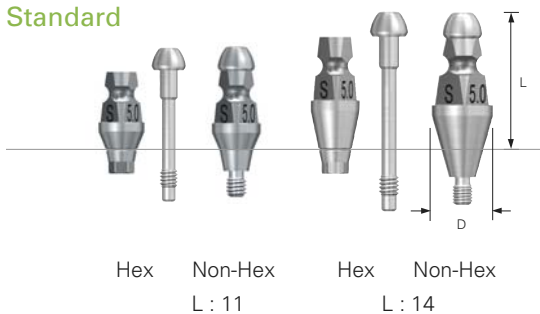
## Fixture transfer impression coping

### Mini




L	Type \ D	Ø4.0
11	Hex	4011MH
	Non-Hex	4011MN
14	Hex	4014MH
	Non-Hex	4014MN

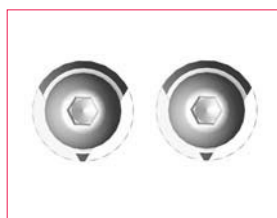
### Standard



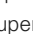
L	Type \ D	Ø4.0	Ø5.0	Ø6.0
11	Hex	4011SH	5011SH	6011SH
	Non-Hex	4011SN	5011SN	6011SN
14	Hex	4014SH	5014SH	6014SH
	Non-Hex	4014SN	5014SN	6014SN

- **Order code : HGFTI + item code**  
ex) HGFTI + 4011MH = HGFTI4011MH
- Transfer type for taking an impression using a ready-made tray
- Triangular arc (  ) design improves markability following impression
- Long and short types enhance convenience
- The hex type is designed as a two-piece, and the non-hex type, as a one-piece
  - ※ Includes transfer coping and guide pin
  - ※ Cannot be sold guide pin only

## Fixture transfer impression coping

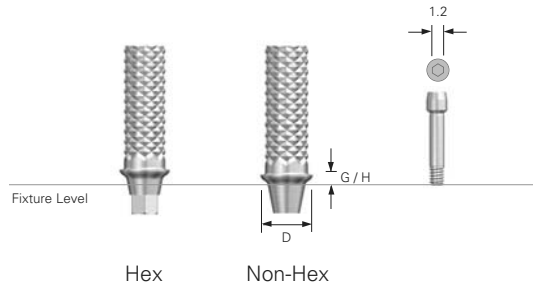


Registered triangle-circle

The fixture transfer impression coping allows easy and exact coping repositioning after impression taking by using the triangle-circle structure (  ) for superior direction and position identification. And also the long/ short (12.5mm /9.5mm) two features overcome path and intermaxillary interference. The vertical impression error can be prevented by blocking out the driver hex hole after connecting the coping.

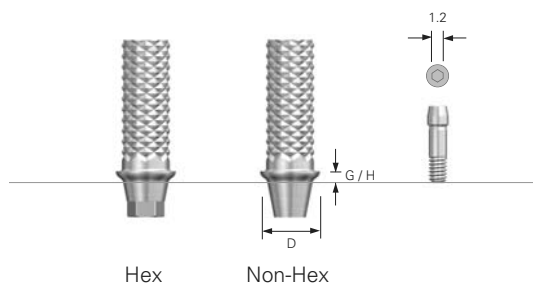
## Temporary abutment

### Mini



G/H	Type \ D	Ø4.0
1.0	Hex	401MHT
	Non-Hex	401MNT
3.0	Hex	403MHT
	Non-Hex	403MNT

### Standard



G/H	Type \ D	Ø4.5
1.0	Hex	451SHT
	Non-Hex	451SNT
3.0	Hex	453SHT
	Non-Hex	453SNT

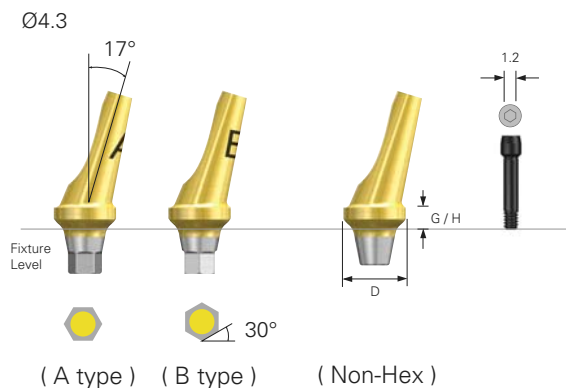
- **Order code : HGTPA + item code**  
ex) HGTPA + 401MHT = HGFP401MHT
- Use to make temporary prosthesis (material : Ti Gr-3)
- Easy to customize ; designed to minimize indication constraints
- Use the 1.2 hex driver
- Tightening torque : 20Ncm (mini / standard)
  - ※ Includes TiN abutment screw
  - ※ TiN abutment screw can be purchased separately (Mini : HGATSMT, Standard : HGATSST)

# Angled Abutment Components

## Angled abutment

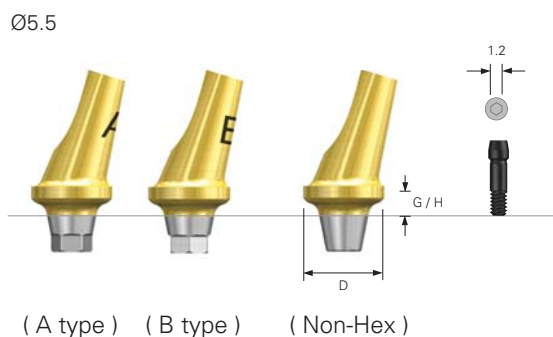
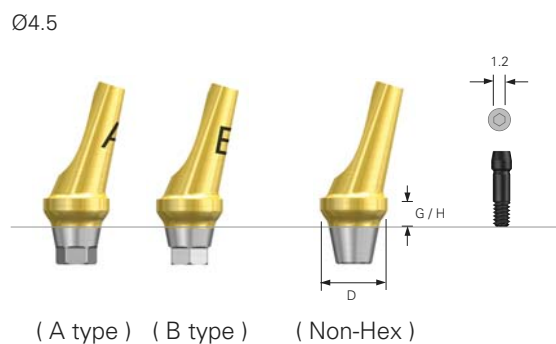
Cement retained restoration

### Mini



G/H	Type \ D	Ø4.3
2.0	Hex(A Type)	432MAW
	Hex(B Type)	432MBW
	Non-Hex	432MNW
4.0	Hex(A Type)	434MAW
	Hex(B Type)	434MBW
	Non-Hex	434MNW

### Standard



G/H	Type \ D	Ø4.5	Ø5.5
2.0	Hex(A Type)	452SAW	552SAW
	Hex(B Type)	452SBW	552SBW
	Non-Hex	452SNW	552SNW
4.0	Hex(A Type)	454SAW	554SAW
	Hex(B Type)	454SBW	554SBW
	Non-Hex	454SNW	554SNW

- **Order code : HGAGA + item code**  
ex) HGAGA + 432MAW = HGAGA432MAW
- Used for the path adjustment of prosthesis in case of 17° axial angle
- 11° taper connection for excellent safety
- Gold color for aesthetic effect
- Functions as a double hex type (A and B hex types)
- The use of an abutment selector enables the selection of precise hex-type abutments
- Use the 1.2 hex driver
- Tightening torque : 20Ncm (mini), 30Ncm (standard)
  - ※ Includes EbonyGold abutment screw
  - ※ EbonyGold abutment screw can be purchased separately(Mini : HGATSM, Standard : HGATSS)

## HG angled abutment selector



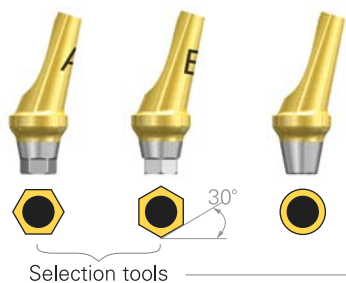
G / H	Type	D	Mini	Standard	
			Ø4.3	Ø4.5	Ø5.5
2.0	Hex(A Type)		432MA	452SA	552SA
	Hex(B Type)		432MB	452SB	552SB
4.0	Hex(A Type)		434MA	454SA	554SA
	Hex(B Type)		434MB	454SB	554SB

- **Order code : HGAAS + item code**  
ex) HGAAS + 432MA = HGAAS432MA
- Use for the selection of specifications such as A- or B-type Angled abutments, diameter, and G/H in the oral cavity or on a working model

### Usage of angled abutment selector

There are A/B two types of HG Angled abutment. The internal hex structure of the fixture can cause interference between the 17° tapered body angled abutment and adjacent teeth. Choose an appropriate A/B Hex type using an angled abutment selector to minimize abutment reduction before prosthesis fabrication.

Hex A type    Hex B type    Non-hex



A type selector connection  
(good)



B type selector connection  
(not-good)

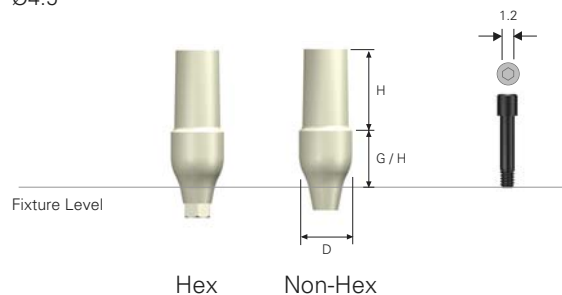
# ZioCera Abutment Components

## ZioCera abutment

Cement or screw retained restoration

### Mini

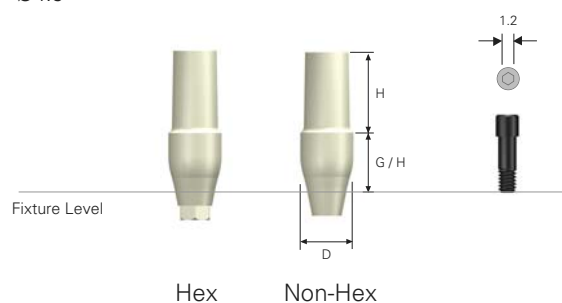
Ø4.5



D			Ø4.5	
H	G/H	Type	Hex	Non-Hex
7.0	3.5		453MHW	453MNW
	5.0		455MHW	455MNW

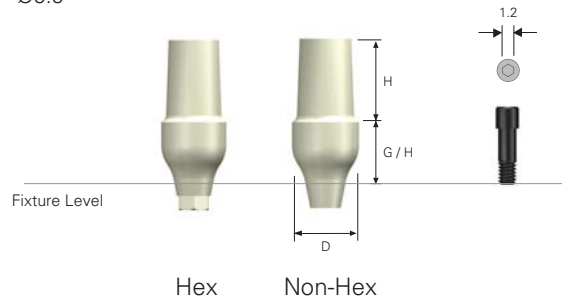
### Standard

Ø4.5



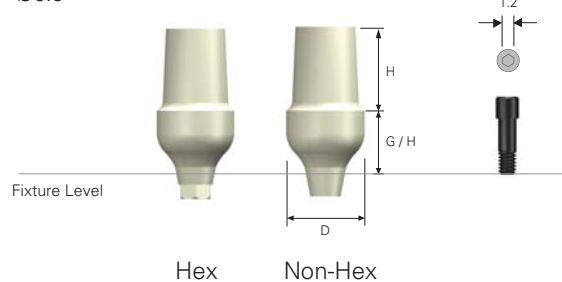
D			Ø4.5	
H	G/H	Type	Hex	Non-Hex
7.0	3.5		453SHW	453SNW
	5.0		455SHW	455SNW

Ø5.5



D			Ø5.5	
H	G/H	Type	Hex	Non-Hex
7.0	3.5		553SHW	553SNW
	5.0		555SHW	555SNW

Ø6.5



D			Ø6.5	
H	G/H	Type	Hex	Non-Hex
7.0	3.5		653SHW	653SNW
	5.0		655SHW	655SNW

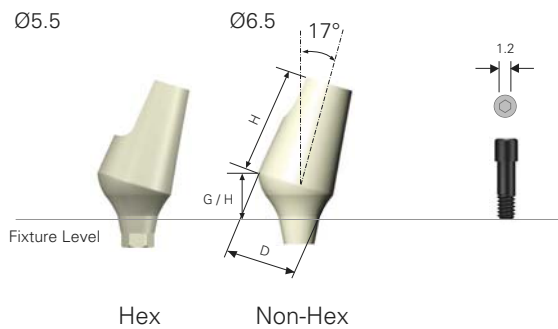
- **Order code : HGZCA** + item code  
ex) HGZCA + 453SHW = HGZCA453SHW
- Used for the aesthetic prosthesis (Zirconia)
- Ivory color like a natural tooth
- The use of direct build-up method enables the screw restoration
- Use the 1.2 hex driver
- Tightening torque : 20Ncm (Mini), 30Ncm (Standard)
  - ※ Includes EbonyGold abutment screw
  - ※ EbonyGold abutment screw can be purchased separately  
(Mini : HGABSM, Standard : HGABSS)



## ZioCera angled abutment

Cement or screw retained restoration

### Standard



D			Ø5.5	
H	G/H	Type <sup>c</sup>	Hex	Non-Hex
9.0	3.0		553SHW	553SNW
	4.0		-	-

D			Ø6.5	
H	G/H	Type <sup>c</sup>	Hex	Non-Hex
9.0	3.0		-	-
	4.0		654SHW	654SNW

- **Order code : HGZAA + item code**  
ex) HGZAA + 553SHW = HGZAA553SHW
- Used for the aesthetic prosthesis (Zirconia)
- Ivory color like a natural tooth
- The use of direct build-up method enables the screw restoration
- The diameter which is useful and margin forms which are possible to modify
- Used for the path adjustment of anterior in case of 17° axial angle
- Use the 1.2 hex driver
- Tightening torque : 30Ncm (Standard)
  - ※ Includes EbonyGold abutment screw
  - ※ EbonyGold abutment screw can be purchased separately(Mini : HGABSM, Standard : HGABSS)

# GoldCast Abutment Components

## GoldCast abutment

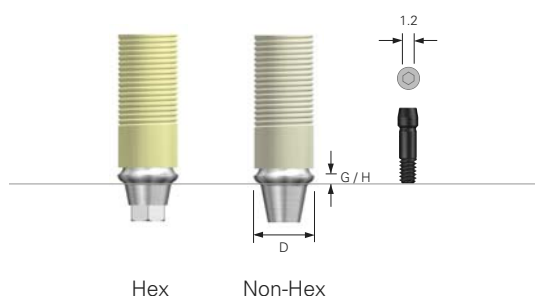
Cement or screw retained restoration

### Mini



G/H	Type	D	Ø4.0
1.0	Hex		401MHW
	Non-Hex		401MNW
3.0	Hex		403MHW
	Non-Hex		403MNW

### Standard



G/H	Type	D	Ø4.5
1.0	Hex		451SHW
	Non-Hex		451SNW
3.0	Hex		453SHW
	Non-Hex		453SNW

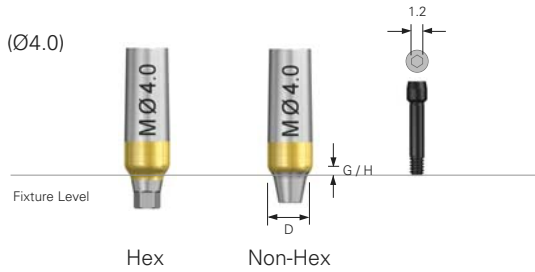
- **Order code : HGGCA + item code**  
ex) HGGCA + 401MHW = HGGCA401MHW
- Use for cases with path and aesthetic and spatial constraints
- 11° taper connection for excellent safety
- After customization, be sure to use only dental gold alloy for casting to make the prosthesis
- Melting point range of abutments (Au, Pt, Pd Alloy) : 1400°C ~ 1450°C (use of non-precious metal alloy for casting prohibited)
- Use the 1.2 hex driver
- Tightening torque : 20Ncm (mini), 30Ncm (standard)
  - ※ Includes EbonyGold abutment screw
  - ※ EbonyGold abutment screw can be purchased separately (Mini : HGATSM, Standard : HGATSS)

# FreeForm ST Abutment Components

## FreeForm ST abutment

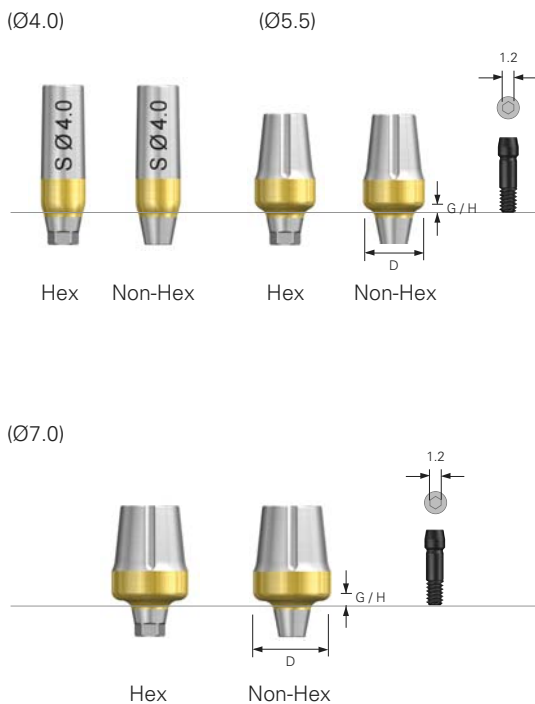
Cement retained restoration

### Mini



G/H	Type \ D	Ø4.0
1.5	Hex	401MHW
	Non-Hex	401MNW
3.0	Hex	403MHW
	Non-Hex	403MNW

### Standard



G/H	Type \ D	Ø4.0	Ø5.5	Ø7.0
1.5	Hex	401SHW	551SHW	701SHW
	Non-Hex	401SNW	551SNW	701SNW
3.0	Hex	403SHW	553SHW	703SHW
	Non-Hex	403SNW	553SNW	703SNW

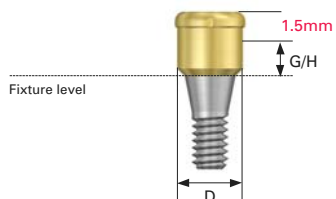
- **Order code : HGFSA + item code**  
ex) HGFSA + 401MHW = HGFSA401MHW
- Use for the path adjustment of abutments or customization of prosthetic margin
- 11° taper connection for excellent safety
- Gingival gold color for aesthetic effect
- Use the 1.2 hex driver
- Tightening torque : 20Ncm (mini), 30Ncm (standard)
  - ※ Includes EbonyGold abutment screw
  - ※ EbonyGold abutment screw can be purchased separately (Mini : HGATSM, Standard : HGATSS)

“When modifying Freeform ST abutment, the minimum length of the abutment after modification cannot be less than 4mm from the margin to the top of the abutment”

# LOCATOR® Abutment Components

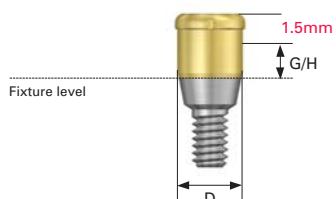
## LOCATOR® Abutment

### Mini



G/H \ D	Ø3.7
1.0	3510M
2.0	3520M
3.0	3530M
4.0	3540M
5.0	3550M

### Standard



G/H \ D	Ø3.7
1.0	4010S
2.0	4020S
3.0	4030S
4.0	4040S
5.0	4050S

- **Order code : HGLCA + item code**  
ex) HGLCA + 4010S = HGLCA4010S
- Use for making Implant retained overdenture in the mandible or maxilla.
- Accommodate up to 40° divergence between two implants
- Stable dual retention & optimal holding capabilities against various retention forces (6N, 12N, 22N)
- Use the LOCATOR® torque driver
- Tightening torque : 30Ncm

## LOCATOR® male processing kit



LOCATOR® male processing kit	LMPS
------------------------------	------

- Includes denture cap, block-out spacer, black processing male & replacement males (blue, pink, clear)
- packing unit : 2 packs

## LOCATOR® replacement male



Retention force	
6N	LRM06S
12N	LRM12S
20N	LRM22S

- packing unit : 4 packs

### LOCATOR® extended replacement male



#### Retention force

6N	LEM06S
12N	LEM12S

- used for the case of implant divergences of more than 10° to 20°
- packing unit : 4 packs

### LOCATOR® black processing male



LOCATOR® black processing male	LBPS
--------------------------------	------

- used for laboratory process
- packing unit : 4 packs

### LOCATOR® block-out spacers



LOCATOR® block-out spacers	LBSS
----------------------------	------

- used for block-out process
- packing unit : 20 packs

### LOCATOR® impression coping



LOCATOR® impression coping	LICS
----------------------------	------

- used for abutment level impression
- packing unit : 4 packs

### LOCATOR® lab analog



LAL40S



LAL50S

#### Diameter

4.0	LAL40S
5.0	LAL50S

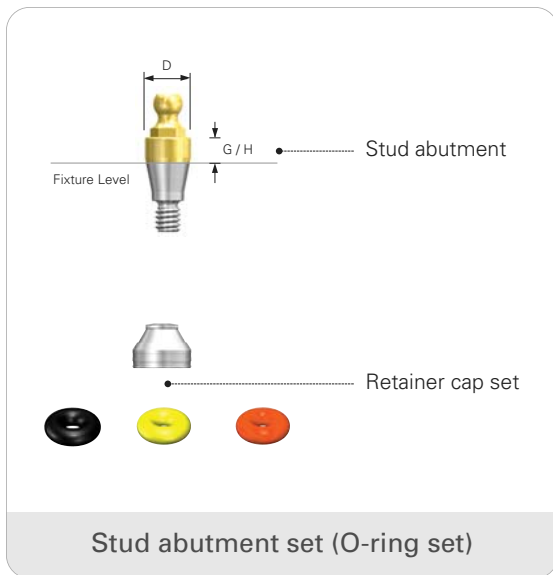
- Replicates the abutment for use by the dental laboratory
- packing unit : 4 packs



# Stud Abutment Components

## Stud abutment set (O-ring set)

Overdenture restoration

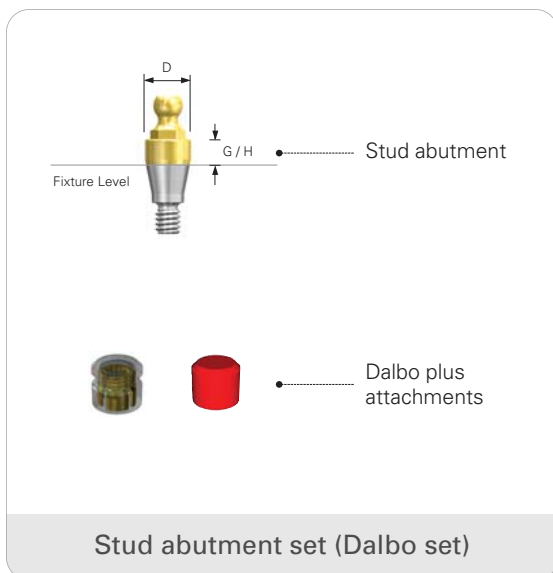


		Mini	Standard
G/H	D	Ø3.5	Ø3.5
1.0		351M	351S
2.0		352M	352S
3.0		353M	353S
4.0		354M	354S
5.0		355M	355S
6.0		356M	356S

- **Order code : HGSAO** + item code  
ex) HGSAO + 351M = HGSAO351M
- Use for making stud-type overdenture
- O-ring components  
For laboratory : black color  
For denture : yellow color (4N), orange color (6N)
- Compensate the retention force through O-ring replacement
- Maximum path compensation of 20°
- Use the Stud abutment driver
- Tightening torque : 30Ncm
  - ※ Includes Stud abutment and Retainer cap set (ORNC)
  - ※ Retainer cap set & O-ring can be purchased separately

## Stud abutment set (Dalbo set)

Overdenture restoration



		Mini	Standard
G/H	D	Ø3.5	Ø3.5
1.0		351M	351S
2.0		352M	352S
3.0		353M	353S
4.0		354M	354S
5.0		355M	355S
6.0		356M	356S

- **Order code : HGSAD** + item code  
ex) HGSAD + 351M = HGSAD351M
- Use for making stud-type overdenture
- Superior stability of retention force vs. O-ring
- Dalbo plus attachment components
- Compensate the retention force through internal lamella rotation (clockwise) using the Dalbo plus screw driver
- Maximum path compensation of 20°
- Use the Stud abutment driver
- Tightening torque : 30Ncm
  - ※ Includes Stud abutment and Dalbo plus attachments
  - ※ Dalbo plus screw driver sold separately

## Retainer cap set



Retainer cap set	ORNC
------------------	------

- Selective application through 2 types of O-ring retention force
- Excellent retention force and good sense of denture placement
  - \* Includes Retainer cap and O-rings (for laboratory, low retention and high retention)
  - \* O-ring can be purchased separately

## Retainer set




Retainer set	ORNR
--------------	------

- More advantageous for smaller occlusal gap compared to a retainer cap
  - \* Includes Retainer + O-rings (for laboratory, low retention and high retention)
  - \* O-ring can be purchased separately

## O-ring set

O-ring (for laboratory) ..... 

O-ring (Low retention) ..... 

O-ring (High retention) ..... 

O-ring set (for laboratory)	ORNB
-----------------------------	------

- O-ring for making the overdenture used in laboratories
  - \* Includes O-ring 5 piece

O-ring set (Low retention)	ORNL
----------------------------	------

- Oral O-ring with low retention force (approximately 4N)
  - \* Includes O-ring 5 piece

O-ring set (High retention)	ORNH
-----------------------------	------

- Oral O-ring with high retention force (approximately 6N)
  - \* Includes O-ring 5 piece

## Stud lab analog



Stud lab analog	OLA
-----------------	-----

- Replicates the implant for use by the dental laboratory
- Locked to impression coping after the impression has been taken and fixed to the working model

# Abutment Screw

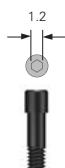
## Abutment screw

### EbonyGold abutment screw

#### Mini



#### Standard



Mini	HGABSM
Standard	HGABSS

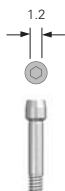
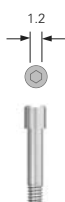
- Use the 1.2 hex driver
- EbonyGold abutment screw can be purchased separately
- Applied abutments
  - ZioCera abutment
  - ZioCera angled abutment

Mini	HGATSM
Standard	HGATSS

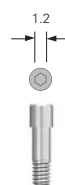
- Use the 1.2 hex driver
- EbonyGold abutment screw can be purchased separately
- Applied abutments
  - Transfer abutment
  - Angled abutment
  - FreeForm ST abutment
  - GoldCast abutment

### Titanium abutment screw

#### Mini



#### Standard




Mini	HGABSMT
Standard	HGABSST

- Use the 1.2 hex driver
- Titanium abutment screw can be purchased separately

Mini	HGATSMT
Standard	HGATSST

- Use the 1.2 hex driver
- Titanium abutment screw can be purchased separately
- Applied abutments
  - Temporary abutment



Edition 1 / 2011

# ET III SA Implant System & Prosthetic Components

**HIOSSSEN**<sup>®</sup>  
I M P L A N T

HIOSSSEN Inc. [www.hiossen.com](http://www.hiossen.com)  
85 Ben Fairless Dr., Fairless Hills, PA 19030, USA TEL : 1-888-678-0001 FAX : 1-267-759-7004